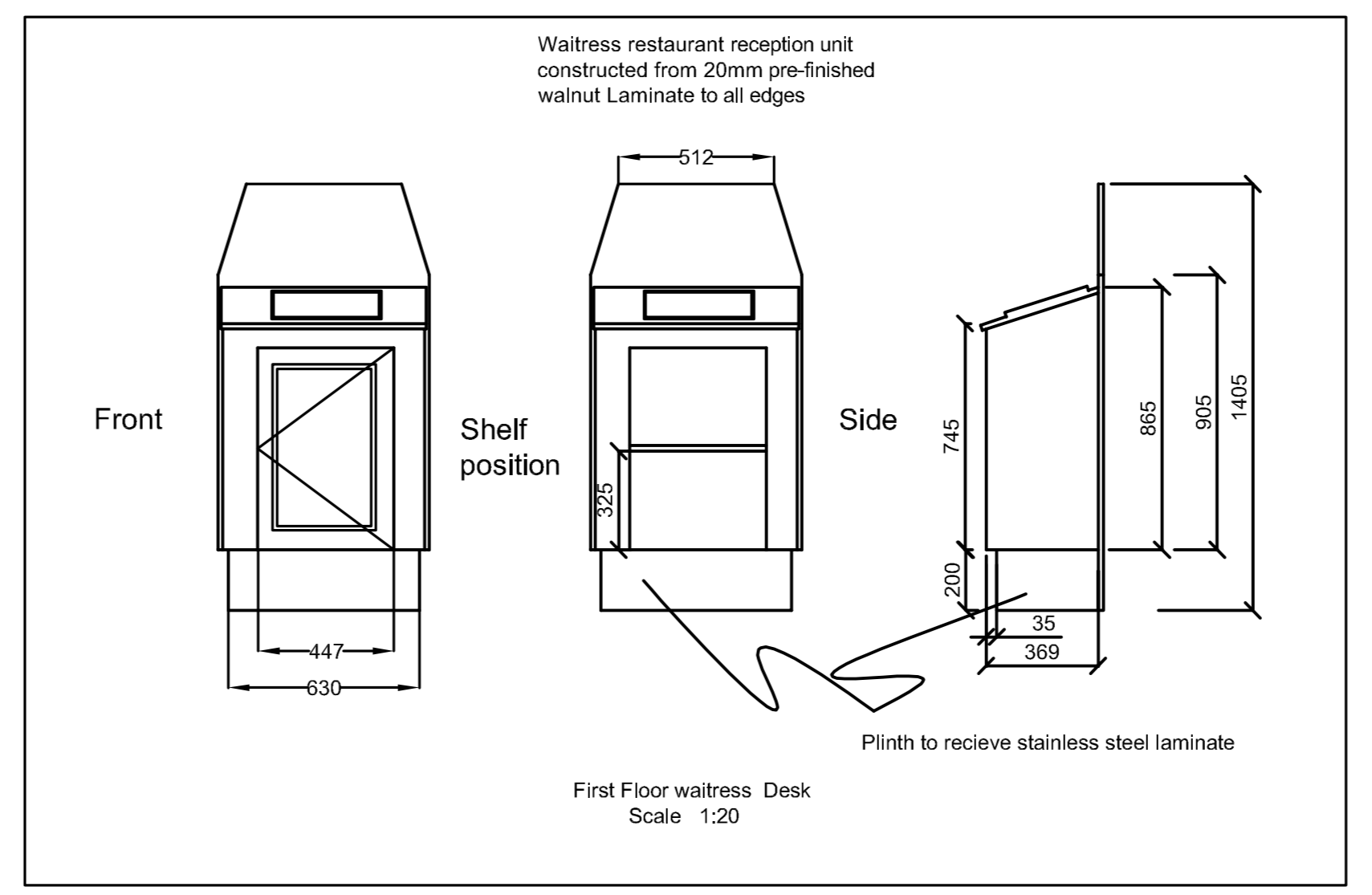
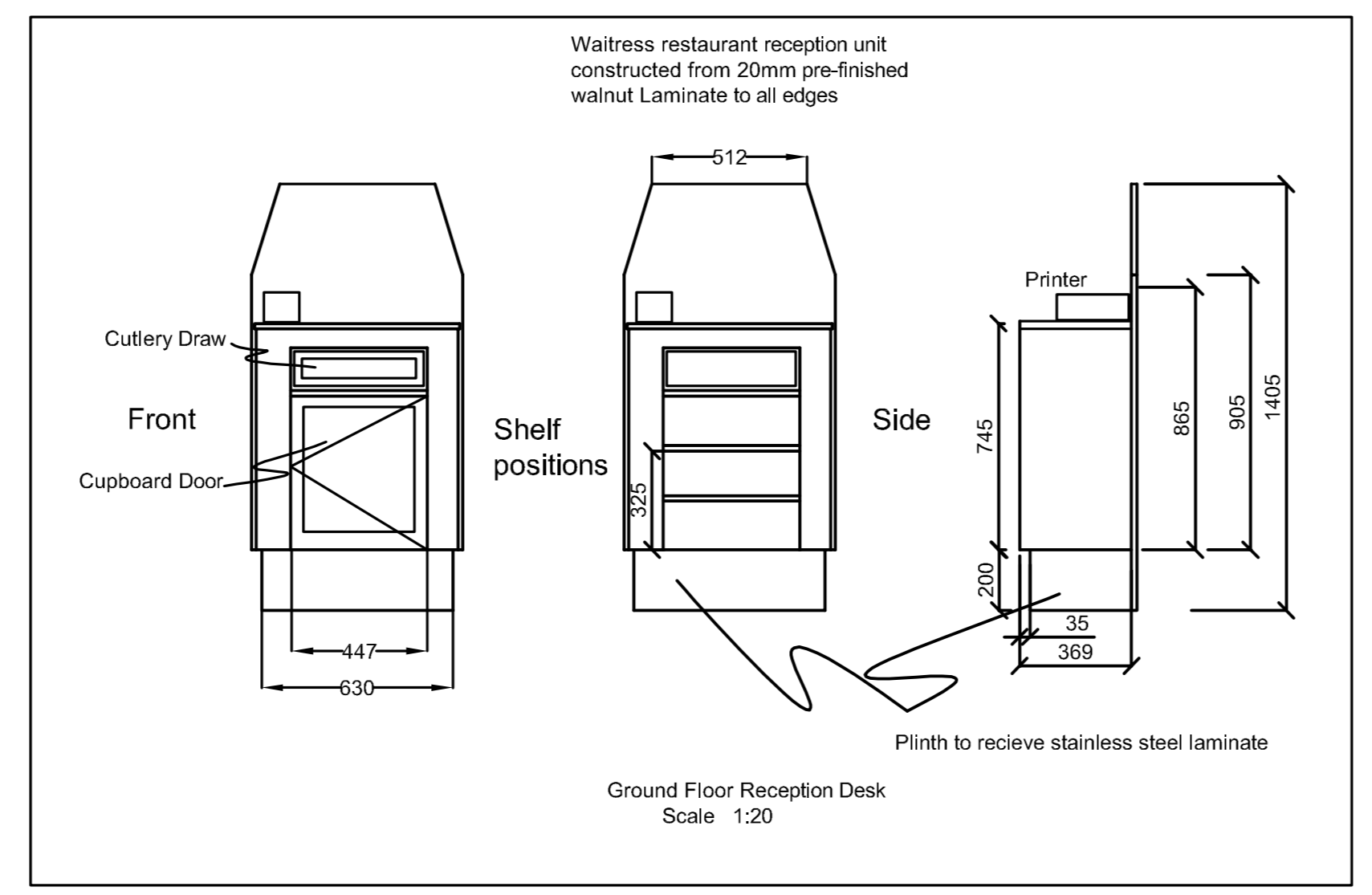
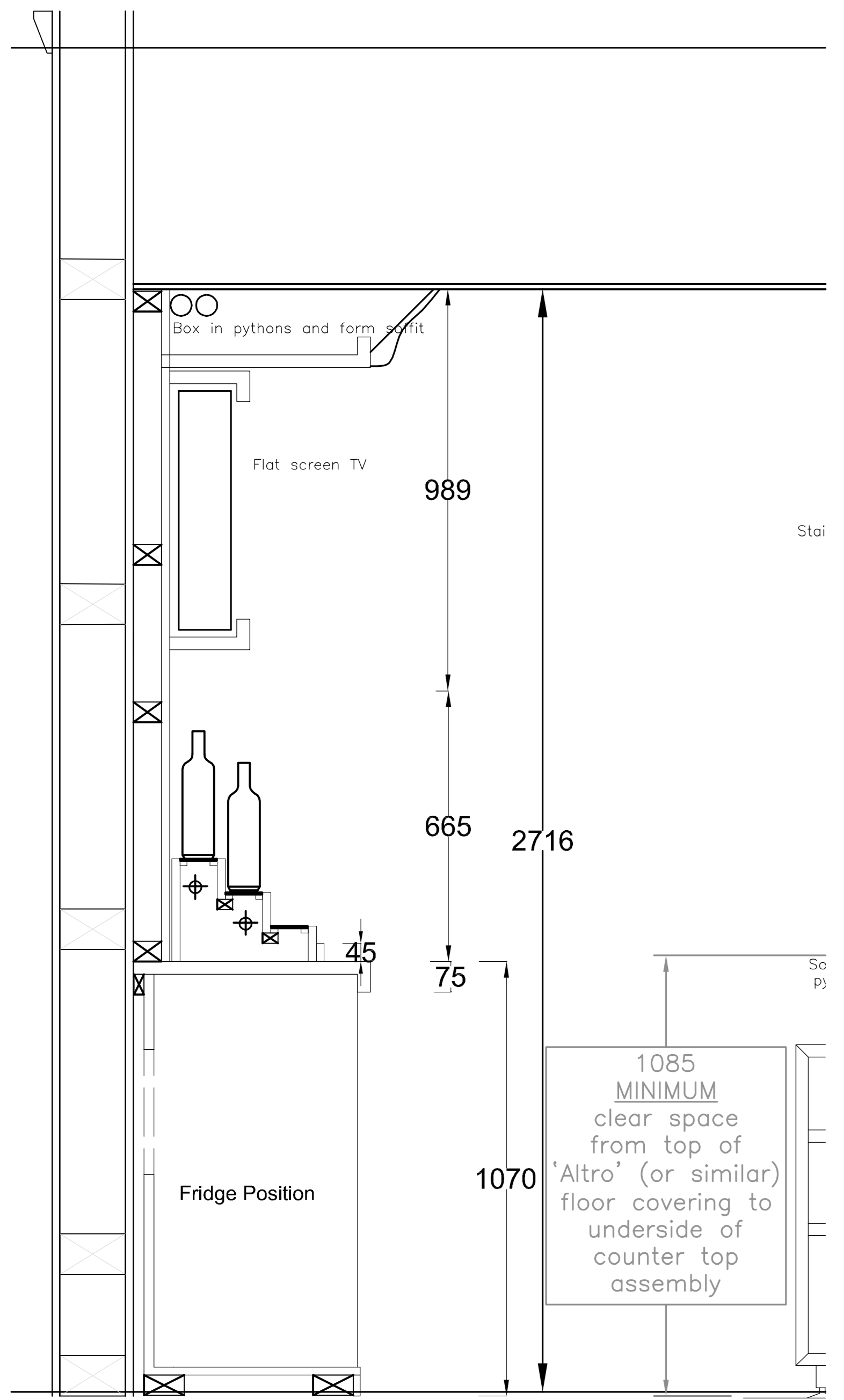
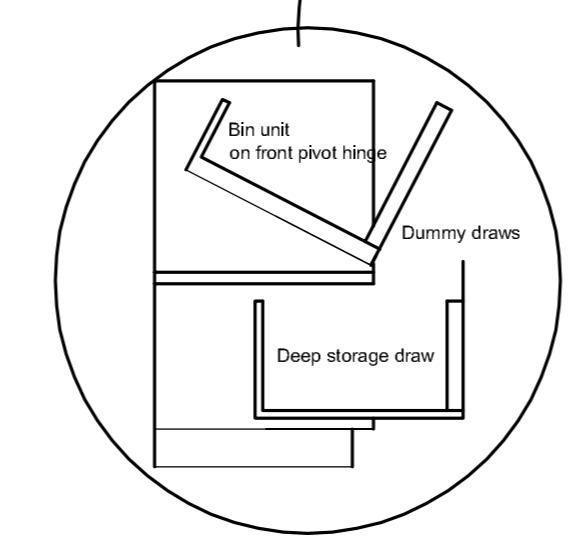
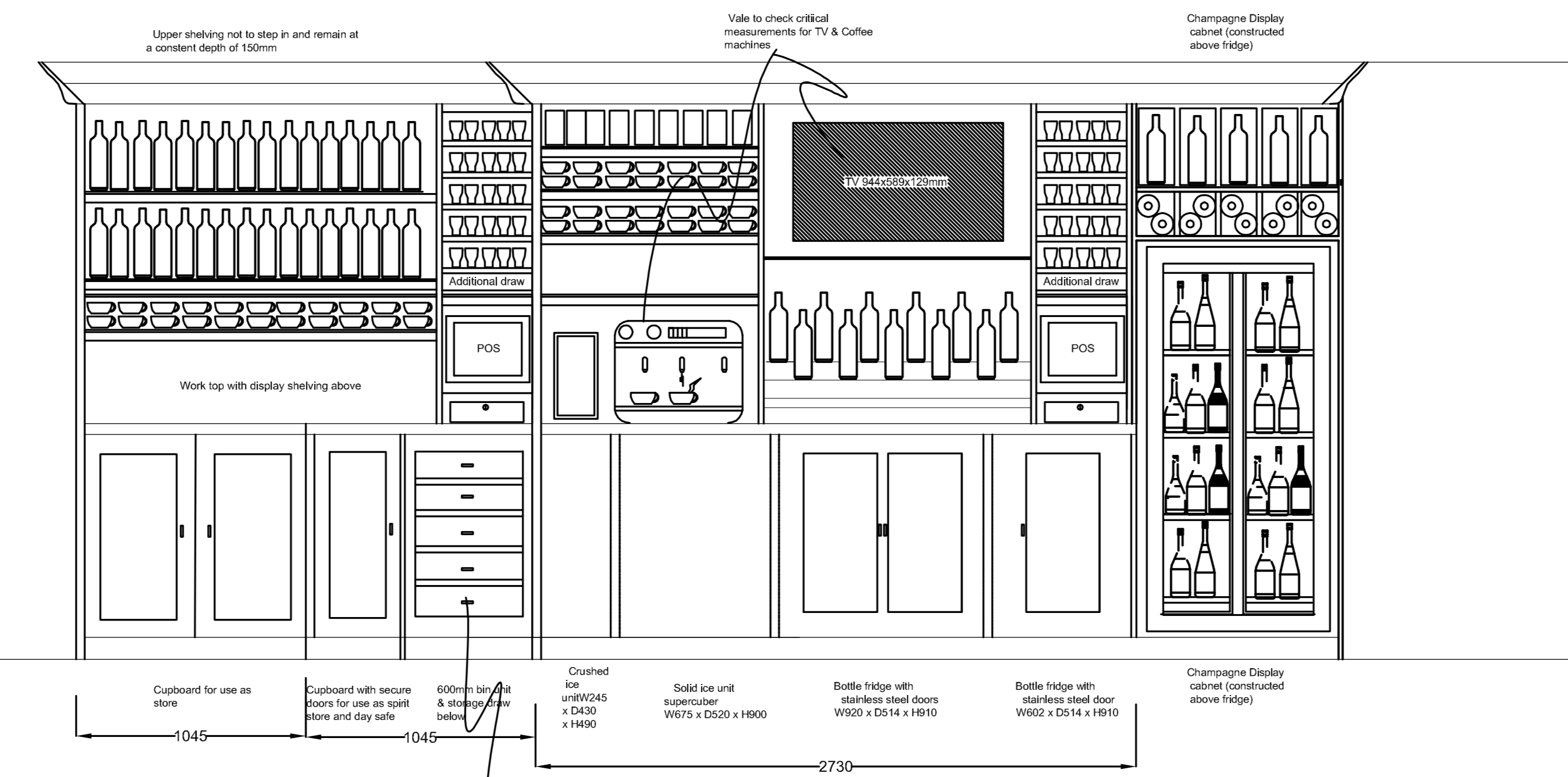
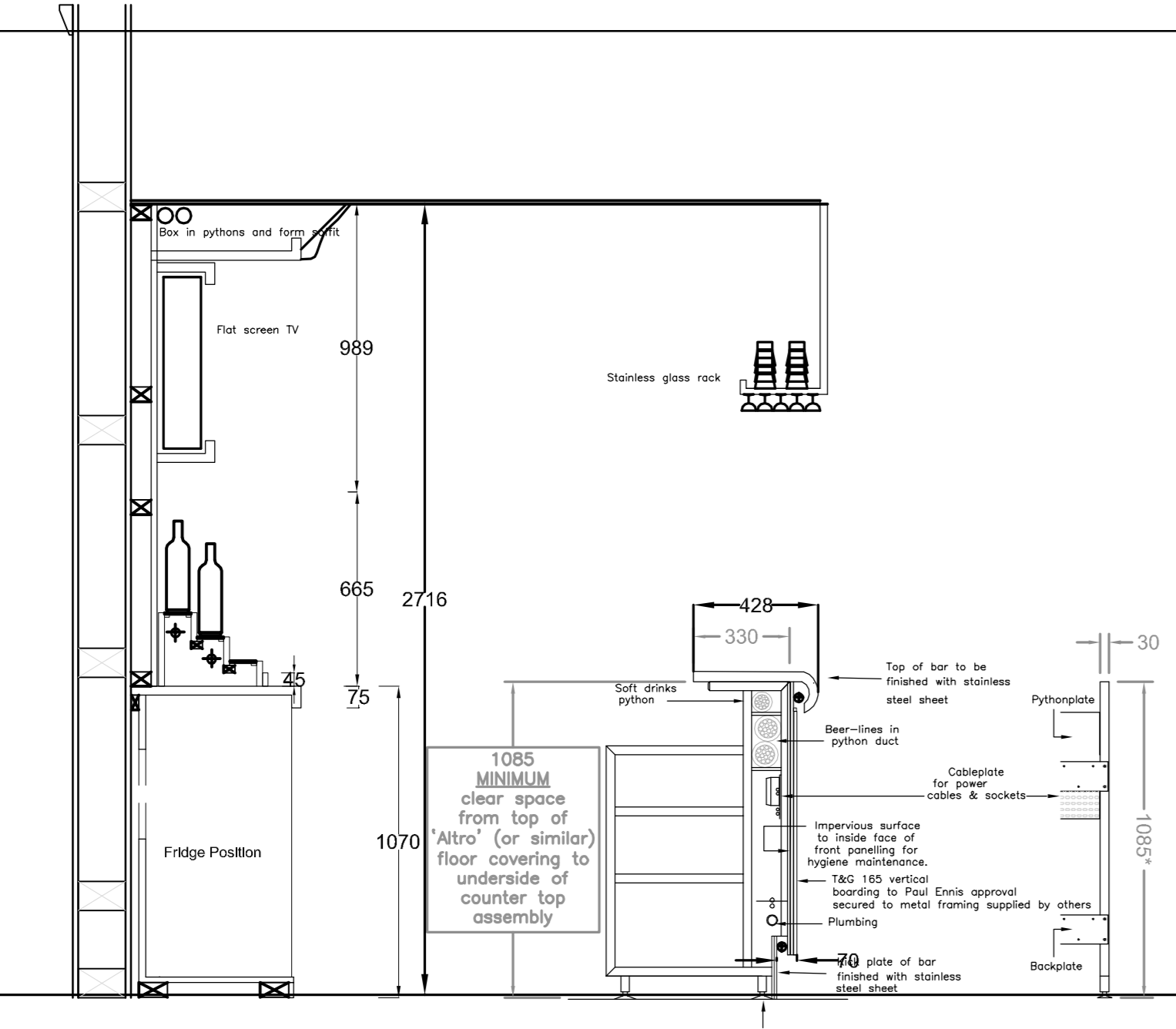


The bar frame structure is built onto non-slip floor this should be cut straight and sealed to the back of plinth.



No.	Revision/Issue	Date
Z9	Changes to bar design	120207
Z8	Changes to bar design	310107
Z7	Changes to bar design	300107
Z6	Changes to bar design	180107
Z5	Changes to bar design	170107
Z4	Changes to bar design	150107
Z2	Changes to bar design	080107
Z1	Changes to bar design	211206

Client: NW Bars Ltd.  
Orry's Wine Bars Limited  
116/120 County Road  
Walton  
L4 3QW

Site Location: 133-135 Allerton Road  
Allerton  
Liverpool  
Merseyside  
L18 2DD

Project: Bar Design

Drawing Title: Plans & Details

Project Number: BPE-2006/40/09

Date: August '06  
Scale: As per drawing

Drawn by: PE & AB  
Revision: Z9  
Drawing Number: 40/09 00id01

**Paul Ennis ASSOCIATES**  
Limited  
Consultant Building Surveyors & Engineers

The Grove, Belgrave Road, Birkdale,  
Southport, PR8 2DZ.  
T: 01704 562 675 F: 01704 560 959  
E: architecture@paulennis.co.uk  
www.paulennis.co.uk

notes:  
configuration of under bar units to be confirmed.  
by others